

# Ty-Rap®

**T&B Catalog Number:**

**TC347A**

**UPC Number:**

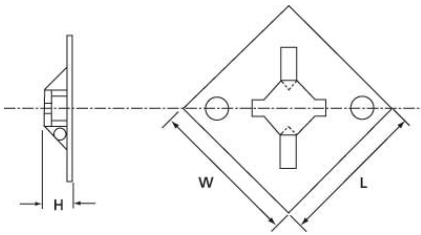
78621088848

**Description:**

Cable Tie 2 or 4-Way Mounting Base 1x1" Natural Nylon 6.6 Adhesive/Screw Mounting- #8 Screw For Use with Cable Ties Up to 120 lbs.

**Status:**

Active



### Features

Accommodates 4-way for ties up to .091 and 2-way for ties up to .301 maximum width.

### General

Material	Nylon 6.6
Color	Natural
Mounting Method	Adhesive/Screw
Stud Size	#8 Screw
Max Tie Width Accepted	.301
For Cable Ties	Up to 120 lbs.

### Dimension Information

Length (inches)	1.125
Width (inches)	1.125

### Specifications

Temperature Rating	-40°F to 185°F
Flammability Rating	UL 94 V-2

### Packaging

T&B Order Multiple	1000
T&B Inner Pack	1000
Package in Units	5000
Package Type	Bulk
T&B Sold in UOM	Each
T&B Weight Per UOM	0.46 lbs. per 100

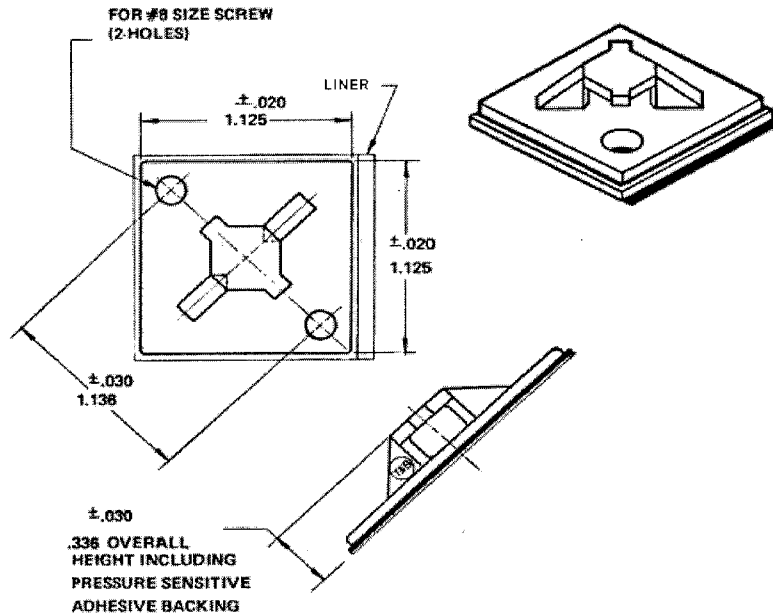
### Application Support

T&B Sales Drawings	wsd-000166
Material Selection Guide	Available on Website

### Certifications

RoHS Compliance	Yes
-----------------	-----

# T&B CABLE FASTENING ACCESSORIES




MATERIAL: NYLON  
ADHESIVE: PRESSURE SENSITIVE FOAM  
WEIGHT: .074 OUNCES

NOTE: FOR USE WITH TY-RAP® TIES, 190 WIDE MAX. FOR FOUR WAY ENTRY.  
MAY BE USED WITH TY-RAP® TIES TO .301 MAX. WIDTH FOR DIAGONAL  
TWO WAY ENTRY.

APPLICATION TEMPERATURE: 65°F TO 120°F (18°C TO 49°C)  
STORAGE TEMPERATURE: 32°F TO 150°F (0°C TO 65°C)

TCZ347	MOUNTING BASE	TEFZEL* NATURAL	GREEN	TC2PA / SCREWS
TC347FR	MOUNTING BASE	NYLON FLAME RETARDANT	WHITE	TC2PA / SCREWS
TC347X	MOUNTING BASE	NYLON 6/6 WEATHERABLE	BLACK	TC2PA / SCREWS
TC347A	MOUNTING BASE	NYLON 6/6 NATURAL	WHITE	PRE-ADHESIVE
TC347	MOUNTING BASE	NYLON 6/6 NATURAL	WHITE	TC2PA / SCREWS
<b>CAT. NO.</b>	<b>DESCRIPTION</b>	<b>MATERIAL</b>	<b>COLOR</b>	<b>MOUNTING</b>

\* TEFZEL IS A REGISTERED TRADE MARK OF DUPONT.

GENERAL NOTES		 www.tnb.com			
1. ALL DIMENSIONS ARE FOR REFERENCE ONLY. 2. DIMENSIONS IN BRACKETS [ ] ARE IN METRIC UNITS.					
REVISIONS		DESCRIPTION: <b>TC347 MOUNTING BASE</b>			
- SEE ERN (****) FOR APPROVAL SIGNATURES & RELEASE DATE. PROJECT NO: ****		ORIGINAL PROJECT NO / ( ERN NO )	SHEET NO:	REV. NO:	DRAWING NO:
		FM40183 / ( 2005546 )	1 OF 1	-	<b>WSD-000166</b>

## Cable Tie Mounting Bases

Choose from adhesive-backed, epoxy or screw mounting bases!

### Two-Way Adhesive Mounting Bases



- Available in a variety of materials for both indoor and outdoor use
- One-piece molding — no lost parts
- Adhesive-backed with pressure-sensitive adhesive tape (where applicable)

STD. PKG. CAT. NO.	BULK PKG. CAT. NO.	MOUNTING METHOD	MAX. TIE WIDTH ACCOM.	LENGTH IN./MM.	WIDTH IN./MM.	MATERIAL	STD. PKG. QTY.	BULK PKG. QTY.
TC5342A	TC342A	SRA* Adhesive	.19	1.13/28.58	1.13/28.58	Nylon 6.6	100	1,000
—	TC342A-X	SRA* Adhesive	.19	1.13/28.58	1.13/28.58	Weatherable Nylon	—	1,000
—	TC342	TC2PA	.19	1.13/28.58	1.13/28.58	Nylon 6.6	—	1,000
—	TC342X	TC2PA	.19	1.13/28.58	1.13/28.58	Weatherable Nylon	—	1,000
—	TC342A-FR	SRA* Adhesive	.19	1.13/28.58	1.13/28.58	Flame-Retardant Nylon	—	1,000
—	TC342AH-TFR	Acrylic Adhesive	.19	1.13/28.58	1.13/28.58	Black High-Temp Flame-Retardant Nylon	—	1,000

Temperature Rating: -32° F to 150° F (0° C to 66° C)

\*Synthetic Rubber Adhesive

Select the Four-way configuration you need!

### Four-Way Adhesive Mounting Base



### Four-Way Mini Base



### Large Four-Way Base



- Eliminates errors in premounting the base with respect to its orientation to wire bundle direction
- Convenient way to mount wire bundles at cross-over points — two optional mounting holes included

STD. PKG. CAT. NO.	BULK PKG. CAT. NO.	MOUNTING METHOD	MAX. TIE WIDTH ACCOM.	LENGTH IN./MM.	WIDTH IN./MM.	MATERIAL	STD. PKG. QTY.	BULK PKG. QTY.
<b>4-Way Adhesive Mounting Base</b>								
TC5345A	TC345A	SRA* Adhesive	.19	1.13/28.58	1.13/28.58	Nylon 6.6	100	1,000
—	TC345AFR	SRA* Adhesive	.19	1.13/28.58	1.13/28.58	Flame-Retardant Nylon	—	1,000
TC5346AX	TC346AX	SRA* Adhesive	.19	1.13/28.58	1.13/28.58	Weatherable Nylon	100	1,000
TC5346AHTFR	TC346AHTFR	Acrylic Adhesive	.19	1.13/28.58	1.13/28.58	Black High-Temp Flame-Retardant Nylon	100	1,000
—	TC345	TC2PA/Screws	.19	1.13/28.58	1.13/28.58	Nylon 6.6	—	1,000
<b>4-Way Mini Base</b>								
TC950X050A-C	TC050X050A	SRA* Adhesive	.10	0.5/12.70	0.5/12.70	Nylon 6.6	100	1,000
TC950X050-C	TC050X050AX	SRA* Adhesive	.10	0.5/12.70	0.5/12.70	Weatherable Nylon	100	1,000
TC5344A	TC344A	SRA* Adhesive	.14	.75/19.05	.75/19.05	Nylon 6.6	100	1,000
TC5344AX	TC344AX	SRA* Adhesive	.14	.75/19.05	.75/19.05	Weatherable Nylon	100	1,000
TC5344	TC344	Screw Mount	.14	.75/19.05	.75/19.05	Nylon 6.6	100	1,000
<b>Large 4-Way Base</b>								
TC150X150L	TC150X150	Screw Mount	.19	1.5/38.10	1.5/38.10	Nylon 6.6	50	500
TC150X150A-L	TC150150A	SRA* Adhesive	.19	1.5/38.10	.5/38.10	Nylon 6.6	50	500
TC150X150AX-L	TC150X150AX	SRA* Adhesive	.19	1.5/38.10	.5/38.10	Weatherable Nylon	50	500
TC200X200-L	TC200X200	Screw Mount	.30	2.0/50.80	2.0/50.80	Nylon 6.6	50	500
TC200X200A-L	TC200X200A	SRA* Adhesive	.30	2.0/50.80	2.0/50.80	Nylon 6.6	50	500
—	TC200X200AX	SRA* Adhesive	.30	2.0/50.80	2.0/50.80	Weatherable Nylon	—	500
—	TC368	Screw Mount	.75	2.0/50.80	2.0/50.80	Nylon 6.6	—	500
—	TC368A	SRA* Adhesive	.75	2.0/50.80	2.0/50.80	Nylon 6.6	—	500

Temperature Rating: -32° F to 150° F (0° C to 66° C)

\*Synthetic Rubber Adhesive

Great versatility!

### Two- and Four-Way Adhesive Mounting Base



- Accommodates the entire line of standard cable ties
- 4-way base for cable ties up to .184" maximum width and a two-way base for ties up to .301" maximum width
- It may also be mounted with #8 size screw (2 holes)

STD. PKG. CAT. NO.	BULK PKG. CAT. NO.	MOUNTING METHOD	MAX. TIE WIDTH ACCOM.	LENGTH (IN.)	WIDTH (IN.)	MATERIAL	STD. PKG. QTY.	BULK PKG. QTY.
TC5347A	TC347A	SRA* Adhesive	.30	1.13/28.58	1.13/28.58	Nylon 6.6	100	1,000
TC5347AX	—	SRA* Adhesive	.30	1.13/28.58	1.13/28.58	Weatherable Nylon	100	—
—	TC347	TC2PA/Screws	.30	1.13/28.58	1.13/28.58	Nylon 6.6	—	1,000
—	TC347FR	TC2PA/Screws	.30	1.13/28.58	1.13/28.58	Flame-Retardant	—	1,000
—	TC347X	TC2PA/Screws	.30	1.13/28.58	1.13/28.58	Weatherable Nylon	—	1,000
—	TC2947	TC2PA/Screws	.30	1.13/28.58	1.13/28.58	Radiation Resistant Flouropolymer	—	1,000

Temperature Rating: -32° F to 150° F (0° C to 66° C)

\*Synthetic Rubber Adhesive